



## YX Series Explosion Proof Position Monitoring Limit Switch



The Assured Automation YX Series flame proof limit switch is a rotary position indication device for HAZARDOUS areas (Ex d IIC T6). This kind of limit switch box is designed to provide the most visible and reliable valve position indication in explosion-proof environments. With a wide variety of switches and sensors available to match your application.



**II 2 G Ex d IIC T6 Gb**

### FEATURES

- Certified for use in all hazardous areas (Class I, Div. 1 & 2, Groups A, B, C and D, Ex d IIB T6, Ex d IIC T6)
- Visual position indicator is secure and waterproof, valve position is visible from top and side view.
- Materials of construction selected to endure in high vibration, corrosive, and dirty environments.
- “Flat cover” version is available without an indicator for areas with tight space requirements.
- Dual cable entries, 2x3/4” NPT (Standard) and 1/2” NPT (Optional) to satisfy customer’s different requirements.

### SPECIFICATIONS

- Enclosure:**  
Die-casting aluminum; O-ring sealed
- Conduit Entries:**  
Two 3/4” NPT; Two 1/2” NPT (Optional)
- Coating:**  
Dichromate conversion with polyester powder coating
- O-rings:**  
Buna N
- NEMA Rating:**  
NEMA 4, 4X, 7, 8
- Ingression Protection:**  
IP66
- Fasteners:**  
Stainless Steel
- Shaft:**  
Stainless Steel Namur
- Mounting Bracket:**  
4.30x80~130; H:20~30 (Carbon Steel)
- Conduit Entries:**  
Two 3/4” NPT; Two 1/2” NPT (Optional)

### SWITCH RATINGS

- 16 A @ 125/250 VAC
- 16 A @ 8 VDC
- 10 A @ 30 VDC  
*(approved by UL, CSA)*

### TEMPERATURE RANGE

-5°F to 120°F

### AREA CLASSIFICATION

- ATEX, NEPSI:** Ex d IIC T6; CSA
- Canada:** Ex d IIC T6 Gb, CSA
- US:** Class 1 Zone 1 A Ex d IIC T6 Gb

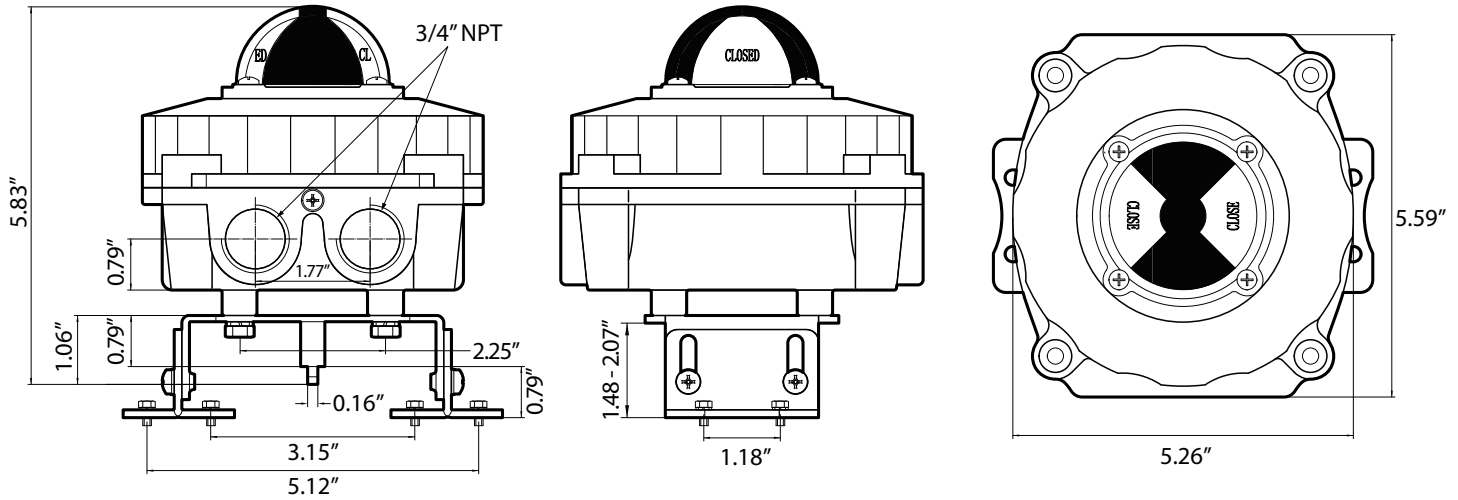


## YX Series



## Explosion Proof Position Monitoring Limit Switch

### DIMENSIONS



### ORDERING INFORMATION



Series: \_\_\_\_\_

**YX** = Explosion proof switchpack with (2) SPDT mechanical switches

Visual Port Indication: \_\_\_\_\_

- (omit) = 2-way valve OPEN/CLOSED
- L** = 3-way "L" port
- T** = 3-way "T" port

Try our **Easy to Use** Configurators at:



assured**automation.com**