



D10 Series

Lead Free Bronze Positive Displacement Water Meters



The D10 is a positive displacement meter that is suitable for use on potable drinking water systems. The meters have a low starting flow rate and excellent accuracy (+/- 1.5%) within the normal flow range.

All sizes include an internal magnet for use with a reed switch for pulse output. Reed switches are available with a 5 foot long, 2-wire cable that can be easily inserted into the meter. All sizes produce 1 pulse per gallon. 1 pulse per 10 gallons is available as special order.



FEATURES

- Meter body made of lead free bronze
- Positive displacement nutating disc allows for installation in any orientation
- Easy to read "odometer" style register, with full-face dial and smaller inset dial for finer increments
- Low starting flow rate and high accuracy
- Accurately meters in any orientation
- Star shaped spinner for low-flow and leakage indication
- Register can be removed for replacement or repair WITHOUT removing meter from the line.
- Heat treated glass lens protects register and dials from damage, dirt, and moisture
- Hinged protective cover opens more than 180° for ease of viewing register
- Magnetic drive offers very low transmission resistance
- Pulse output cable produces 1 pulse per gallon for easy addition of digital counter or use with PLC or HMI

ACCESSORIES (see page 3 for details)

- Flange Kits
- Digital pulse counter
- Check valve
- Garden hose adapters

SIZES & END CONNECTIONS

NPT (male) Threaded: 1/2" to 1"

2-bolt Oval Flanged: 1 1/2" & 2"

Note: Threaded meter bodies have straight meter threads. These models come with a set of meter to NPT adapters. Flanged meters DO NOT INCLUDE FLANGES. Flange kits that include 2 flanges, 2 gaskets, and 4 nut & bolt sets can be ordered.

ACCURACY

+/- 1.5% in normal flow rate range
+1%, -5% for flows below the lower limit

MAXIMUM PRESSURE

up to 150 PSI

MAXIMUM TEMPERATURE

122°F

MAXIMUM READING

9,999,999.99 (10 million)

INCREMENT

0.01 gallons

TYPICAL APPLICATIONS

- Residential cold water metering
- Multi-unit building submetering

APPROVALS & CERTIFICATIONS

- Meets NSF61-G/NSF 372 Lead Free Standards
- Conforms to AWWA C700



AWWA C700

**American Water Works
Association**

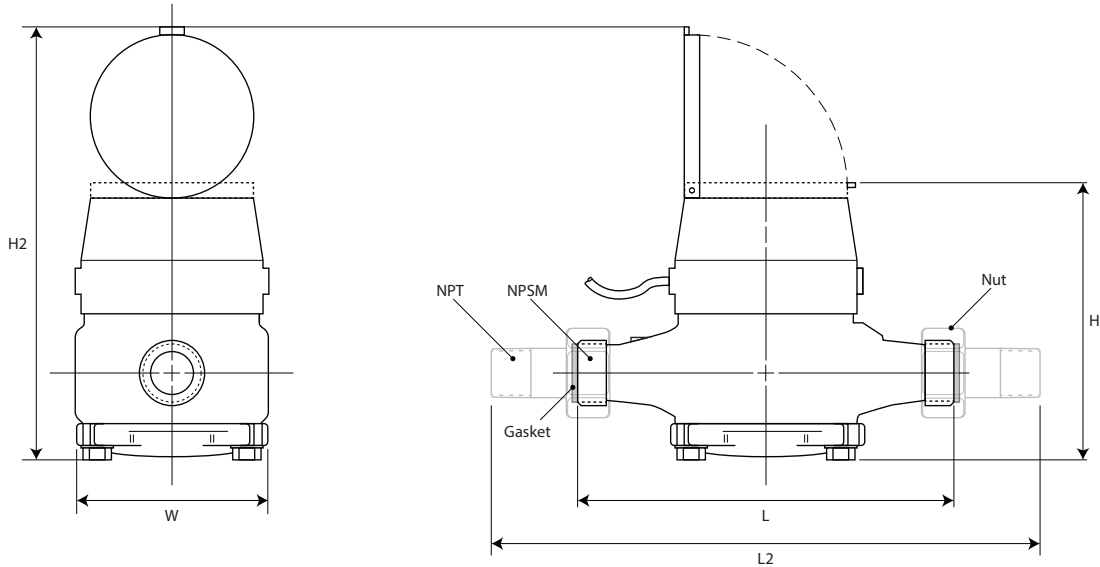


D10



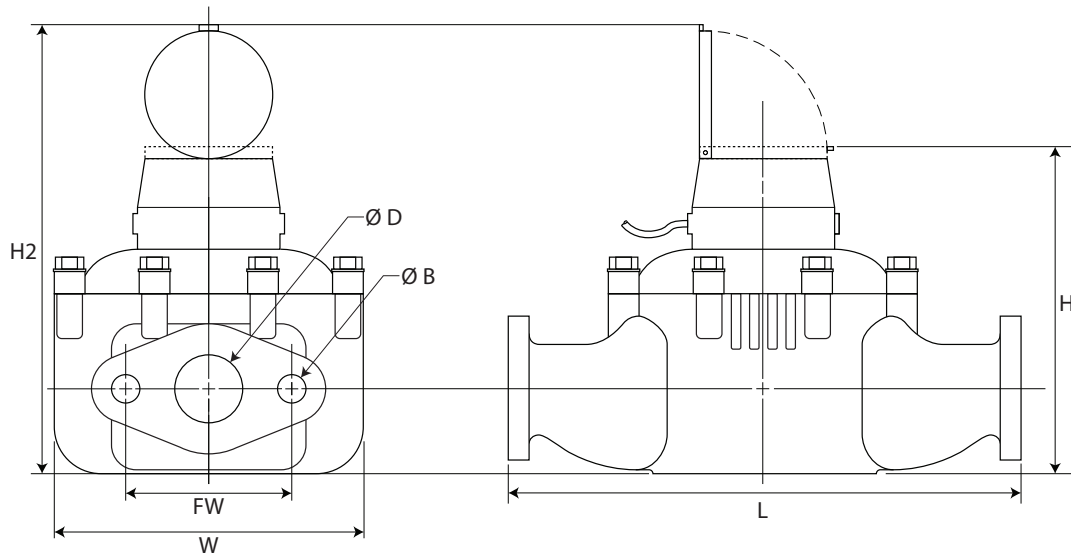
Lead Free Bronze Positive Displacement Water Meters

DIMENSIONS (1/2" to 1") [inches, pounds, gallons per minute]



Model/Size	L	L2	W	H	H2	NPT	NPSM	Nut (flats)	Weight	High Flow	Cont. Flow	Low Flow	Normal Flow
D10-NSF-050	7.5	11.32	3.86	5.5	8.6	1/2"	3/4"	1.18	4.25	20	10	1/8	1-20
D10-NSF-075	7.5	11.64	3.86	5.5	8.6	3/4"	1"	1.46	4.25	20	10	1/8	1-20
D10-NSF-100	10.75	12.59	6.56	7.4	10.55	1"	1 1/4"	1.84	10.87	50	25	3/4	3-50

DIMENSIONS (1 1/2" to 2") [inches, pounds, gallons per minute]



Model/Size	L	W	H	H2	Ø D	Ø B	FW	Weight	High Flow	Cont. Flow	Low Flow	Normal Flow
D10-NSF-150F	13	8.0	8.2	11.3	1.65	0.78	4.0	23	100	50	1 1/2	5-100
D10-NSF-200F	17	9.5	8.5	11.6	2.00	0.78	4.5	35	160	80	2	8-160

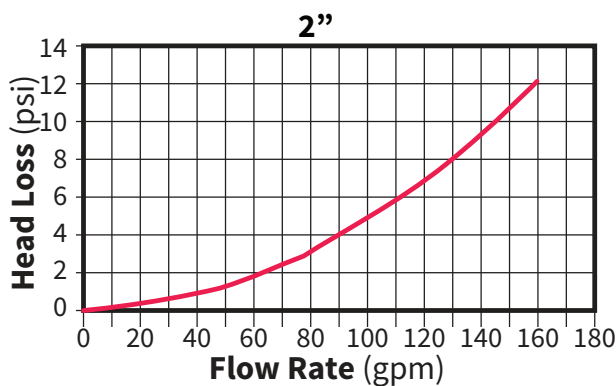
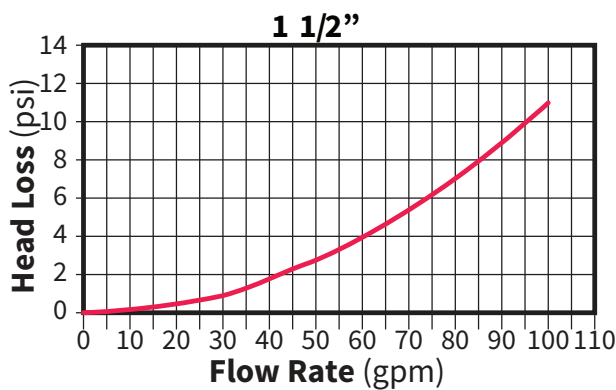
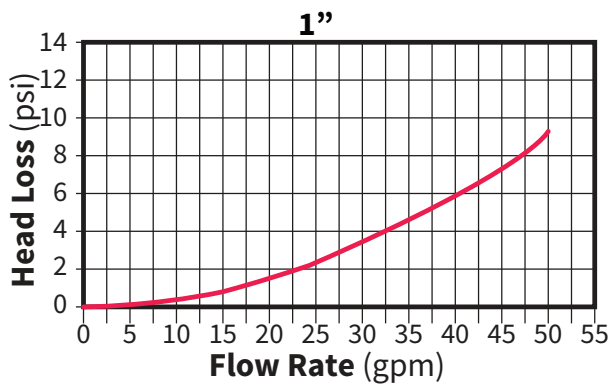
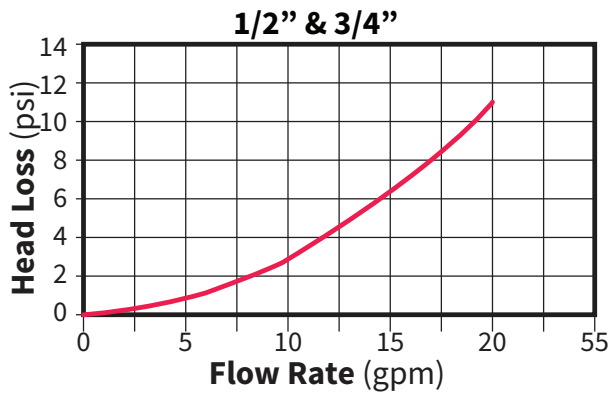


D10

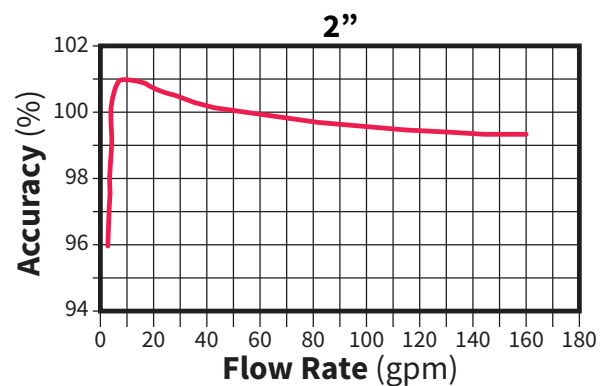
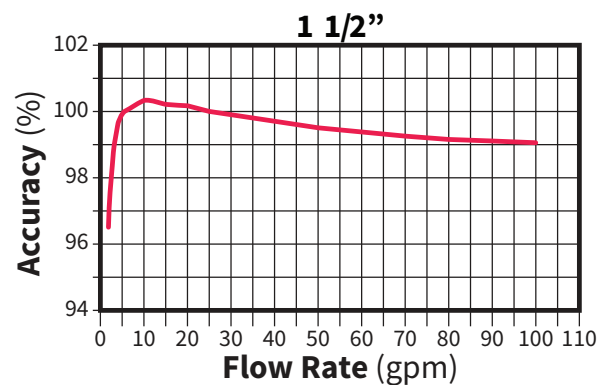
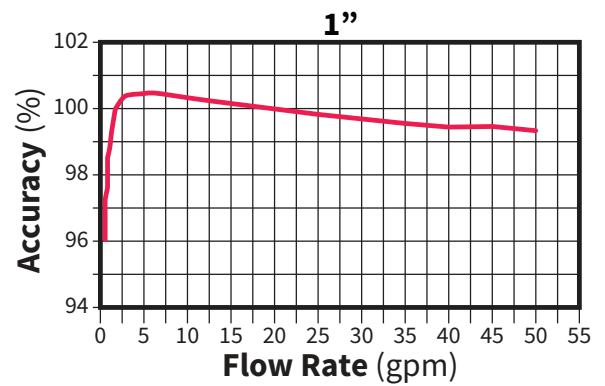
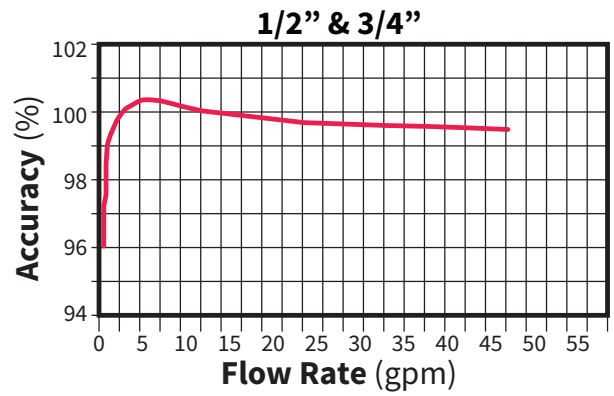


Lead Free Bronze Positive Displacement Water Meters

HEAD LOSS CURVES (pressure drop)



ACCURACY CURVES





D10



Lead Free Bronze Positive Displacement Water Meters

ORDERING INFORMATION

D10 - NSF - 050 - R/1P

Series Size Pulse Output

Series: _____
D10-NSF- = Lead Free Bronze Positive Displacement Water Meter

Size: _____
050 = 1/2" NPT (male) (1-20 gpm)
075 = 3/4" NPT (male) (1-20 gpm)
100 = 1" NPT (male) (3-50 gpm)
150F = 1 1/2" oval flange (5-100 gpm)
200F = 2" oval flange (8-160 gpm)

Pulse Output: _____
(omit) = none
-R/1P = 1 pulse per gallon
-R/10G = 1 pulse per 10 gallons

ACCESSORIES

All accessories for this meter ship loose with the meter. To order any accessories use the part numbers listed below

Garden Hose Adapters (set):



One NPT Female x Male Garden Hose Thread
One NPT Female x Female Garden Hose Thread

Attach these adapters to the meter ensuring that the flow direction is correct to use the meter inline on any standard garden hose.

WMGHA050 = Garden Hose Adapter set for 1/2" meters
WMGHA075 = Garden Hose Adapter set for 3/4" meters
Only available for sizes 1/2" and 3/4".

Check Valves:



Lead free brass check valves are available to prevent reverse flow through meter. Reverse flow will deduct from the meter's total. The use of a check valve will also prevent the meter and upstream water from being contaminated by debris or additives like fertilizer that get added downstream from the meter.

C112CVLFN = 1/2" NPT Lead Free Brass Check Valve
D112CVLFN = 3/4" NPT Lead Free Brass Check Valve
E112CVLFN = 1" NPT Lead Free Brass Check Valve
G112CVLFN = 1 1/2" NPT Lead Free Brass Check Valve
H112CVLFN = 2" NPT Lead Free Brass Check Valve

Digital Display with Reset:



Add a remote digital display that can be reset to simplify reading. Simply attach the 2 wires from the meter's pulse output to terminals #2 and #6 on the display.

KAL-D06 - digital display only (for panel mount)
KAL-D06-NEMA - digital display in weatherproof enclosure
KAL-D06-LOCK - digital display w/ lockable reset in wp enclosure
KAL-D06-DUAL - digital display w/ lockable reset in wp enclosure
KAL-D06-MULTI - digital display w/ lockable reset in wp enclosure

Flange Kits:



Flanges are NPT threaded for attaching to pipes.

The kits include:

- 2 flanges
- 2 gaskets
- 4 bolts
- 4 nuts

FLG150LF KIT = 1 1/2" 2-bolt oval flange Kit
FLG200LF KIT = 1 1/2" 2-bolt oval flange Kit